

## TECHNICAL SPECIFICATIONS

### Engine

Engine Model	YANMAR 3TNV88F
Typ	Water-cooled 4 cylinders diesel engine
Exhaust Emissions	Stage V/EPA Tier 4
Rated Power	18.2kw/2200rpm
Max. Torque/Speed	103/1600N·m/rpm
Displacement	1.642L

### Hydraulic system

Main Pump Type	Variable Displacement Piston Pump
Max. Main Pump Flow	108L/min
Implement	24.2MPa
Travel Circuit	24.2MPa
Slew Circuit	20.6MPa
Pilot Circuit	3.5MPa

### Main Performance

Bucket Digging Force	30kN
Arm Digging Force	19kN
Max. Traction Force	35.1kN
Max. Walking Speed	4.2km/h
Min. Walking Speed	2.7km/h
Rotary Speed	10.3r/min
Gradeability	30°
Ground Pressure	34.7kPa

### Oil Capacity

Fuel Tank	40L
Hydraulic Tank	20L
Engine Oil	6.7L



### LOVOL HEAVY INDUSTRY GROUP CO.,LTD.

Address: No. 75, Huanghe East Road, Huangdao District, Qingdao City, Shandong Province, China.

Website: [en.wlovol.com](http://en.wlovol.com)

E-mail: [lovol\\_overseas@global.lovol.com](mailto:lovol_overseas@global.lovol.com)

TEL: +86-532-86907190

Facebook: Cons Lovol

As manufacturer, LOVOL has right to constantly upgrade and improve our products without informing to customers. The pictures in literatures are for reference only, the detailed specifications are subject to real products.

Rated Power **18.2kW/2200rpm**

Operating Weight **3750kg**

Bucket Capacity **0.12 m³**

# FR36F-u

EXCAVATOR



## FLEXIBILITY

### Tailless design

Turning radius 850mm

### Boom side shift

Small space corner operation



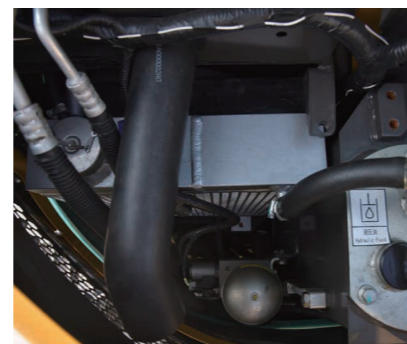
## RELIABILITY

Imported engine, strong performance, high reliability, low noise design

Electrically controlled power control, more power, stronger, more fuel consumption

Customized main control spool, more precise micro-control

Slope turning is effortless with the leading rotary and travel motors



## EFFICIENCY

### Boom bucket rod assembly explosion-proof valve

prevent falling, oil spray

### Load sensitive flow control

Allocate the appropriate flow according to the demand of the load

### Large working range

Maximum excavation radius 5225mm

### Precise distribution

The right flow rate can be allocated according to the demand of the load.

### Large bucket capacity

bucket capacity 0.12m<sup>3</sup>, high working efficiency



## COMFORT



### Humanized design

Increase the water cup holder, increase the control bracket

### Comfortable operation

Increased backrest height and reversible backrest

New appearance design, proportion coordination, high-end atmosphere

High backrest, backrest can be turned over, adjust the cushion backrest hardness, more comfortable

New interior layout, ergonomic, enhanced driving comfort

Intelligent TBOX, add Ethernet, can achieve remote OTA.

## SAFETY



### Cab meets certification requirements

Cab meets FOPS/TOPS standards and CE certification

### Good stability

Chassis 1700mm, good stability

TYPE-C/USB charging port, easy access to electricity, reliable and durable

The three-level maintenance filter element is adopted to effectively protect the engine and extend the service life

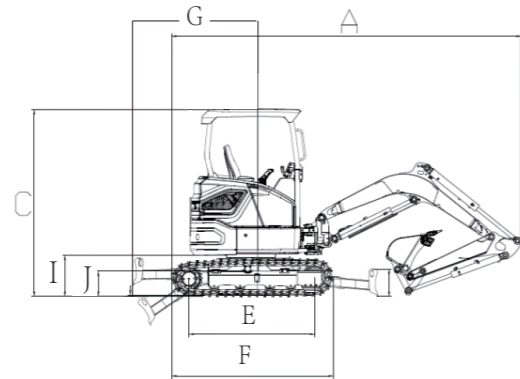
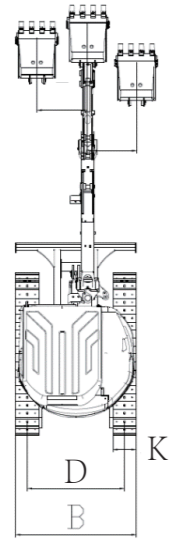
The standard three-way ball valve enables easy switching between fittings and pipelines

## INCREASE YOUR PRODUCTIVITY AND PROFIT WITH LOVOL ATTACHMENTS

You can easily expand the performance of your machine by utilizing any of the variety of LOVOL Attachments. Each LOVOL Attachments is designed to fit the weight and horsepower of LOVOL Excavator for improved performance, safety, and stability.



## TECHNICAL SPECIFICATIONS

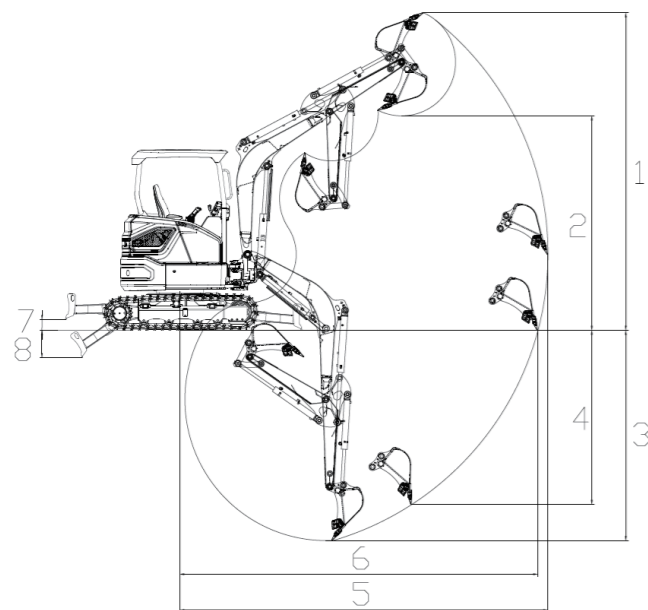


### Working Range

Max. Digging Height	1	4840mm
Max. Dumping Height	2	3425mm
Max. Digging Depth	3	2890mm
Max. Vertical Digging Depth	4	2580mm
Max. Digging Radius	5	5225mm
Max. Ground Digging Radius	6	5105mm

### Dimensions

Shipping Length	A	4730mm
Shipping Width	B	1700mm
Height over cabin	C	2470mm
Track Gauge	D	1400mm
Length to Center of Rollers	E	1620mm
Track Length	F	2094mm
Length from Blade to Swing Center	G	1630mm
Tail Swing Radius	H	850mm
Ground Clearance of Counter Weight	I	537mm
Min. Ground Clearance	J	300mm
Track Shoe Width	K	300mm



### Other Specifications

Boom Length	2375mm
Arm Length	1325mm
Track Roller Number	4