

## TECHNICAL SPECIFICATIONS

### Engine

Engine Model	YANMAR 3TNV88
Number of Cylinders	3
Max. Torque/Speed	103/1600N·m/rpm
Displacement	1.642L

### Hydraulic system

Max. Main Pump Flow	108L/min
Main Safety Valve Pressure	24.2MPa

### Main Performance

Bucket Digging Force	28.6kN
Arm Digging Force	18.9kN
Max. Traction Force	28.6kN
Max. Walking Speed	4.2km/h
Min. Walking Speed	2.8km/h
Rotary Speed	8.4r/min
Gradeability	30°
Ground Pressure	31.1kPa

### Oil Capacity

Fuel Tank	40L
Hydraulic Tank	20L
Engine Oil	6.7L



### LOVOL HEAVY INDUSTRY GROUP CO.,LTD.

Address: No. 75, Huanghe East Road, Huangdao District, Qingdao City, Shandong Province, China.

Website: [en.wlovol.com](http://en.wlovol.com) E-mail: [lovol\\_overseas@global.lovol.com](mailto:lovol_overseas@global.lovol.com) TEL: +86-532-86907190 Facebook: Cons Lovol

As manufacturer, LOVOL has right to constantly upgrade and improve our products without informing to customers. The pictures in literatures are for reference only, the detailed specifications are subject to real products.



Rated Power **22.2kW/2400rpm**

Operating Weight **3400kg**

Bucket Capacity **0.1 m³**

**FR30F-u**  
EXCAVATOR



## FLEXIBILITY

**Tailless design**-Turning radius 790mm

**Boom side shift**-Small space corner operation

**High passability**-Chassis 1550mm

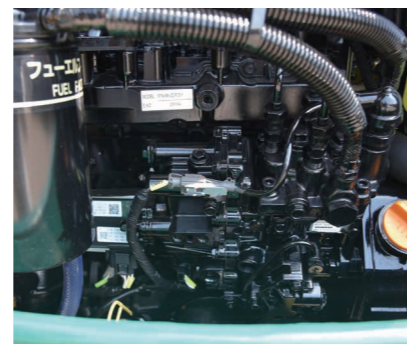
## RELIABILITY

Imported engine, strong performance, high reliability, low noise design

Electrically controlled power control, more power, stronger, more fuel consumption

Customized main control spool, more precise micro-control

Slope turning is effortless with the leading rotary and travel motors



## EFFICIENCY

**Boom bucket rod assembly explosion-proof valve**  
prevent falling, oil spray

**Load sensitive flow control**

Allocate the appropriate flow according to the demand of the load

**Large working range**

Maximum excavation radius 4910mm

**Large bucket capacity**

bucket capacity 0.10m<sup>3</sup>, high working efficiency

## COMFORT



### Yanmar Engine

Low indoor and outdoor noise

### Large Radiator Area

High heat dissipation performance

### Easy Access

Split driving canopy for easy passage through the 2.6m height limit

High backrest, backrest can be turned over, adjust the cushion backrest hardness, more comfortable

New interior layout, ergonomic, enhanced driving comfort

Intelligent TBOX, add Ethernet, can achieve remote OTA.

## INTELLIGENCE



### Precise Localization

TBOXUpgrade 4G, remote OTA

### Quick Start

One-button start, integrated throttle knob, shortcut function button

7 inch full touch screen LCD instrument, clear picture, intelligent and convenient operation

TYPE-C/USB charging port, easy access to electricity, reliable and durable

Smart key panel with integrated throttle knob for easy operation.

## INCREASE YOUR PRODUCTIVITY AND PROFIT WITH LOVOL ATTACHMENTS

You can easily expand the performance of your machine by utilizing any of the variety of LOVOL Attachments. Each LOVOL Attachments is designed to fit the weight and horsepower of LOVOL Excavator for improved performance, safety, and stability.



## STANDARD CONFIGURATION

### Engine

- Turbocharged 4 stroke water-cooling electronic injection type
- Complying with China Stage III emissions
- Automatic idle system
- Engine oil pan drain valve
- Radiator with protective net
- Double filter elements dry air filter element
- Air pre-filter
- Air intake heater
- Fan guard

### Hydraulic System

- Automatic hydraulic system (confluence system)
- Anti-swing valve
- Boom and arm block valve
- Multi-stage filtration system
- Cylinder buffer device
- Auxiliary hydraulic valve
- Automatic two-speed travel motor

### Electronic Control System

- 24V power supply
- Diagnostic interface
- Emergency stop switch
- Display brightness adjustment
- Maintenance tips
- Automatic diagnostic system
- Automatic idle system
- One-touch pressure augmentation
- Safe stop / start function
- Main power switch
- Anti-theft system
- Engine starting protection
- Multilingual display

### Cab

- Ashtray
- Cigar lighter
- Seat belt
- Front sunshade
- Storage box
- Escape hammer
- Thermostatically controlled air conditioner
- Shock absorber (silicone oil and rubber pad)
- Flexible antenna
- Radio (with interfaces of MP3 and USB)
- Hydraulic safety lock
- Sun-protection safety glass
- Floor mat
- Large storage area
- Pull-up front window
- Removable lower windshield
- Sunshade window
- Front-bottom glass protective screening
- Wipers
- Open skylight

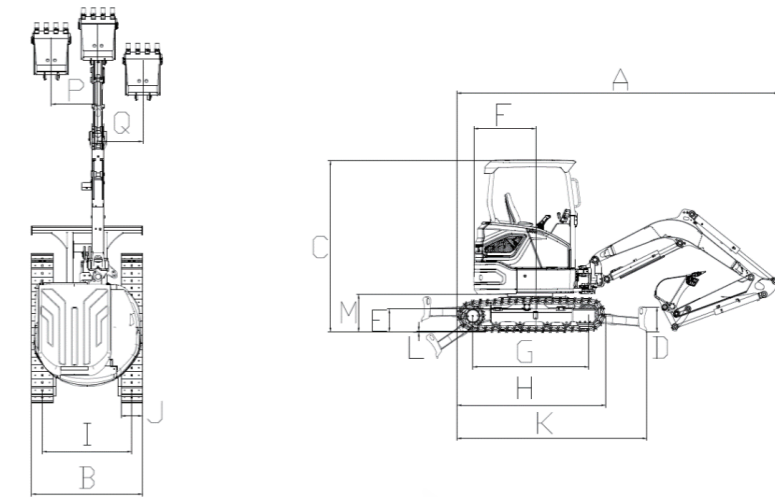
### Swing Platform

- Passage with railing
- Tool box
- Anti-skid plate
- Large pedal
- Large armrest
- Bottom protection plate
- Anti-collision beam

### Chassis

- Fixed chassis
- 300mm, three-tooth track shoe

## TECHNICAL SPECIFICATIONS

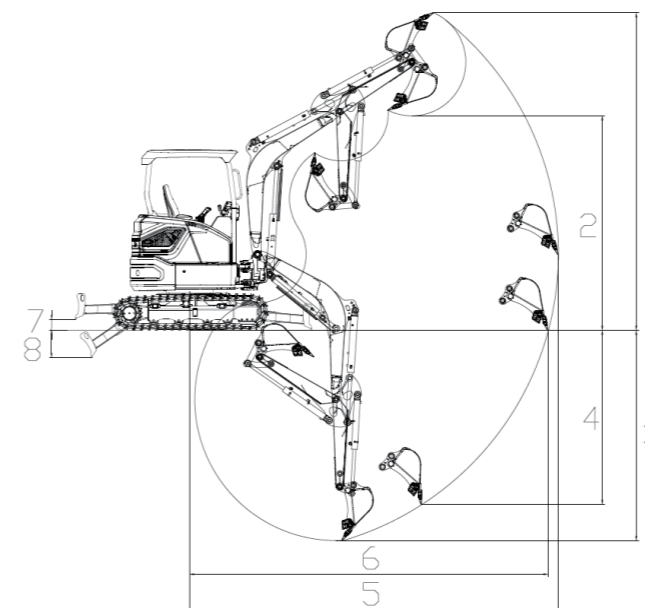


### Working Range

Max. Digging Height	1	4235mm
Max. Dumping Height	2	2860mm
Max. Digging Depth	3	2805mm
Max. Vertical Digging Depth	4	2325mm
Max. Digging Radius	5	4910mm
Max. Ground Digging Radius	6	4775mm
Min. Turning Radius	7	/

### Dimensions

Shipping Length	A	4530mm
Shipping Width	B	1550mm
Boom Height	C	2400mm
Dozer Blade Height	D	348mm
Min. Ground Clearance	E	300mm
Tail Turning Radius	F	790mm
Length to Center of Rollers	G	1620mm
Track Length	H	2094mm
Track Gauge	I	1250mm
Track Shoe Width	J	300mm
Shipping Ground Length	K	2614.5mm
Track Plate Height	L	15mm
Ground Clearance of Counter Weight	M	537mm



### Other Specifications

Boom Length	2200mm
Arm Length	1165mm
Track Section Number (each side)	43
Track Roller Number	4